

CLASSIC GARAGE DOOR

INSULATED ROLLER GARAGE DOOR :: TECHNICAL DATASHEET



Suitable for residential applications as a garage door, the Classic is individually made to specific user requirements. Remote control operation by radio frequency rolling code key fobs, courtesy light, safety features, and manual override all as standard. Suitable for internal or external face or reveal fit. It has also been awarded "Secured by Design" status.



APPLICATIONS

Roller garage door suitable for domestic garages and light commercial use. Made to order with remote control operation and "Secured by Design" certification as standard.

CURTAIN SLAT

77mm aluminium double skinned slat with polyurethane foam insulating core.

Finish: White, Grey, Silver, Ivory, Cream White, Beige, Graphite, Anthracite, Velvet Brown, Brown, Black, Chartwell Green, Sage Green, Moss Green, Fir Green, Duck Egg Blue, Blue, Red, Painted Irish Oak, Painted Golden Oak or Painted Rosewood as standard. Special RAL powder coating and wood laminate effects (Irish Oak, Golden Oak, Rosewood, Mahogany) available on request (surcharges apply).

Visible Face:	77mm
Weight per m ² :	5.5kg
Maximum Width:	5500mm
Maximum Area:	16m ²
Slat U-Value:	1.5 W/m ² K

ENCLOSURE

Roll-formed aluminium box with pressure-moulded aluminium alloy end plates.

Finish: To match curtain, White or Brown as standard. Brown for wood effect curtains. Option to powder coat any RAL / BS colour (surcharge applies).

Guide Height (mm)

1750
2700
4640

Plate Size (mm)

250
300
360

Plate sizes shown as a guide only and may vary.

BOTTOM SLAT

Extruded aluminium bottom slat with rubber weather seal.

GUIDE CHANNELS

Extruded aluminium guide channels with brush inserts. Widths of 70mm, 90mm or 150mm available.

Finish: To match curtain, White or Brown as standard. Brown for wood effect curtains. Option to powder coat any RAL / BS colour (surcharge applies).

OPERATION

Electric: Somfy or Elero tubular motor with manual override facility & crank handle. Safety brake to comply with legislation. Somfy or Teleco remote control panel with safety sensor, courtesy light & 2 key fobs, with or without integrated alarm.

Note: Manual spring & lock operation is available but not common for the Classic profile.

The Classic garage door can be tailored to requirements and installed as a standard security shutter - see the T77 Datasheet.

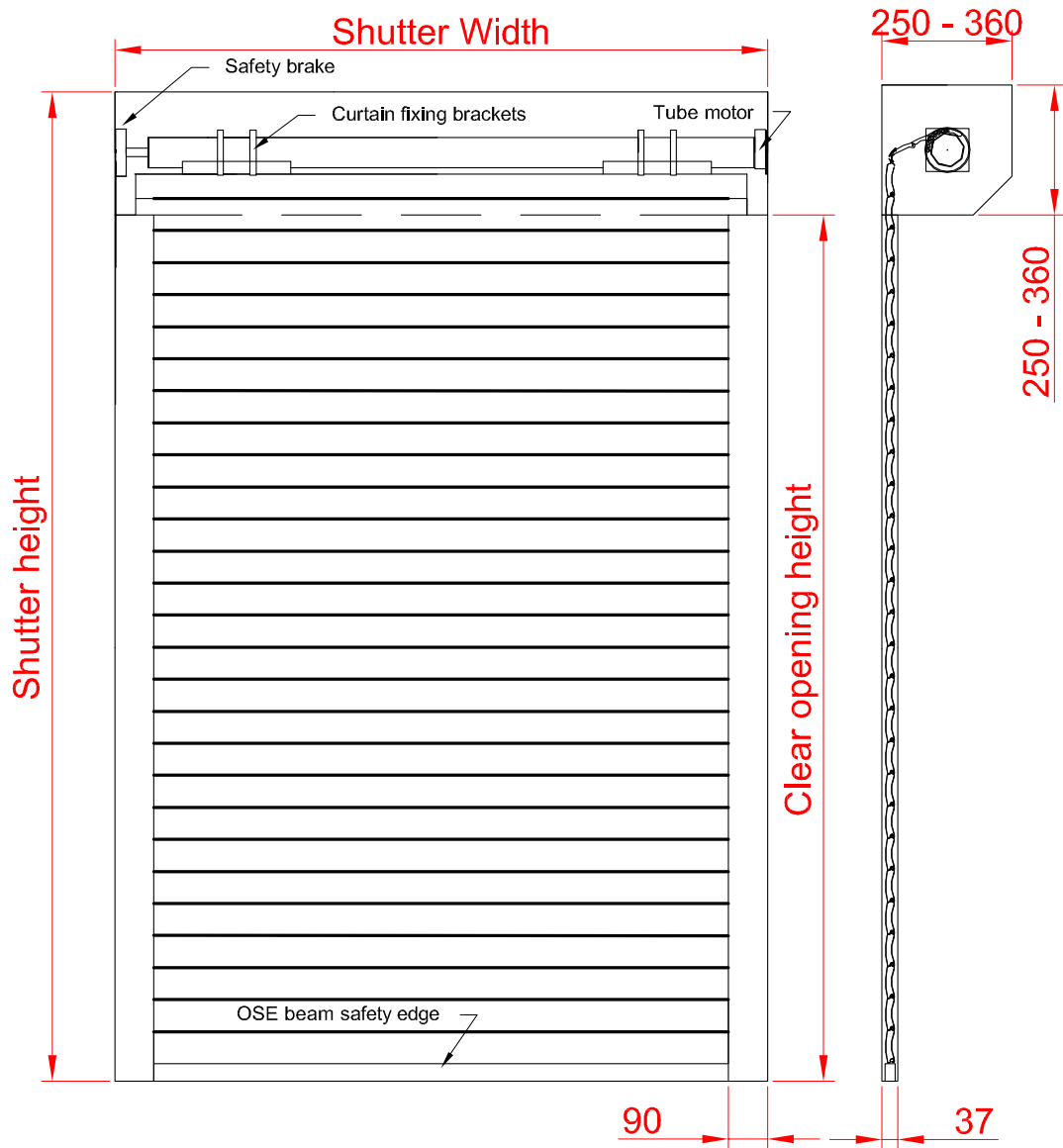
CE compliant to all applicable directives and standards.

CLASSIC GARAGE DOOR

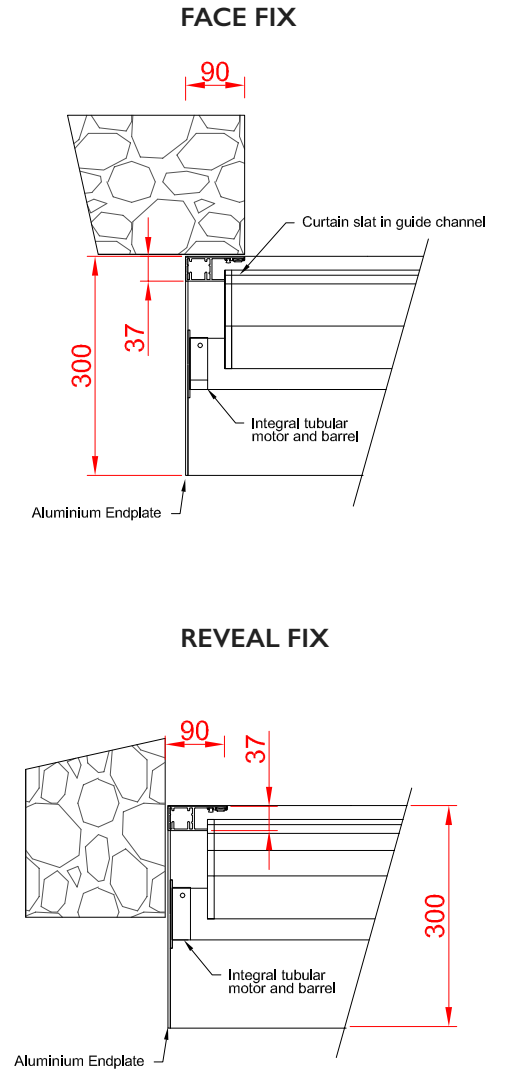
INSULATED ROLLER GARAGE DOOR :: TECHNICAL DATASHEET



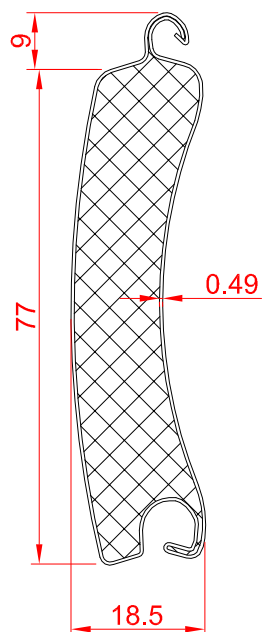
FRONT FACE



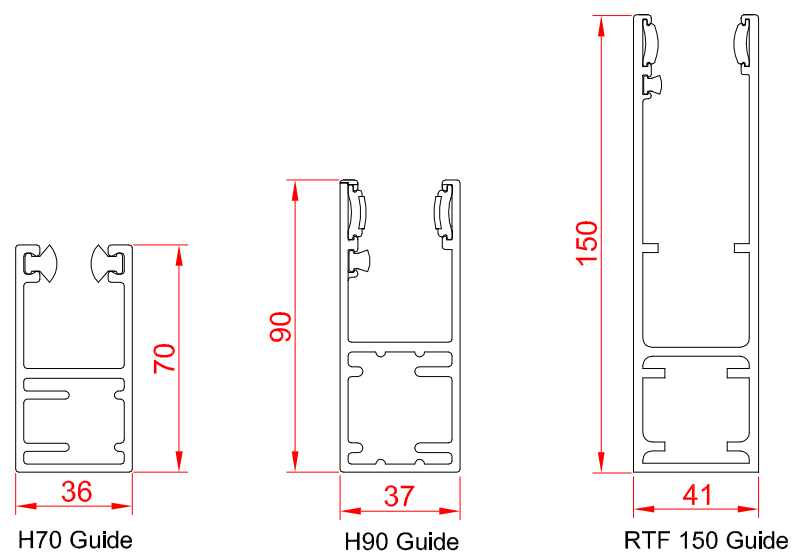
FIXING DETAIL



SLAT PROFILE



GUIDE CHANNELS



Manufactured by Aluroll

Unit 12 Artillery Business Park, Garrison Avenue, Park Hall, Oswestry, Shropshire, SY11 4AD :: Tel: 0800 977 8975 :: www.aluroll.co.uk